

# [ Vent Pipe Clearances

## Vertical:

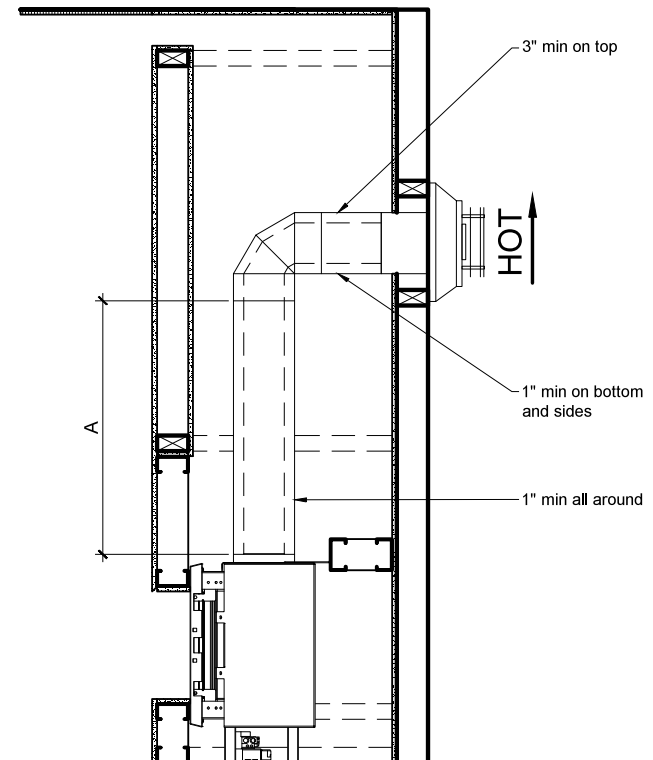
[ Maintain 1" clearance to combustibles on entire circumference.

## Horizontal:

- Maintain 1" clearance to combustibles on bottom and sides
- Maintain 3" clearance to combustibles on top
- Maintain  $\frac{1}{4}$ " rise per foot

MODEL	A (minimum vertical off top of firebox before 90 elbow)
Series 40-170	3 feet
Series 200+	6 feet

In a situation where a 45 degree elbow is required off the top of the firebox, it must be followed with the minimum vertical run per above.



# [ Venting Diagram - Typical Horizontal

## SERIES 40

Vertical (V)	Horizontal (H)
3 ft	21 ft
6 ft	24 ft
9 ft	24 ft
12 ft	24 ft
15 ft	24 ft
18 ft	21 ft
21 ft	18 ft
24 ft	15 ft
27 ft	12 ft
30 ft	12 ft
33 ft	12 ft

## SERIES 75

Vertical (V)	Horizontal (H)
3 ft	21 ft
6 ft	24 ft
9 ft	24 ft
12 ft	24 ft
15 ft	24 ft
18 ft	21 ft
21 ft	18 ft
24 ft	15 ft
27 ft	12 ft
30 ft	12 ft
33 ft	12 ft

## SERIES 110/120/130

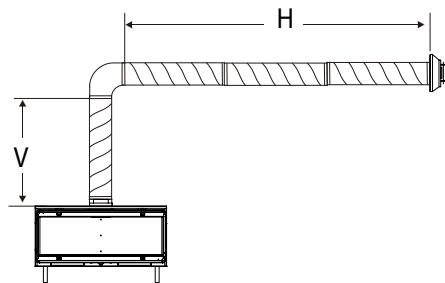
Vertical (V)	Horizontal (H)
3 ft	12 ft
6 ft	18 ft
9 ft	24 ft
12 ft	21 ft
15 ft	21 ft
18 ft	18 ft
21 ft	15 ft
24 ft	12 ft
27 ft	12 ft
30 ft	12 ft
33 ft	12 ft

## SERIES 150/170

Vertical (V)	Horizontal (H)
3 ft	9 ft
6 ft	12 ft
9 ft	18 ft
12 ft	21 ft
15 ft	18 ft
18 ft	18 ft
21 ft	15 ft
24 ft	12 ft
27 ft	9 ft
30 ft	9 ft
33 ft	9 ft

## SERIES 200

Vertical (V)	Horizontal (H)
6 ft	9 ft
9 ft	12 ft
12 ft	12 ft
15 ft	15 ft
18 ft	15 ft
21 ft	12 ft
24 ft	12 ft
27 ft	9 ft
30 ft	9 ft
33 ft	6 ft



### Notes:

1. Can use up to two 90 elbows or four 45 elbows.
2. V minimum =
  - a. 6 feet for Series 200
  - b. 3 feet for Series 40-170

[ For venting runs that exceed these maximums consider Ortal's Power Vent system. Contact your Ortal dealer for more information.

# [ Venting Diagram - Typical Vertical

## SERIES 40

V1 = MINIMUM 3 FEET

Vertical (V)	Horizontal (H)
4 ft	15 ft
7 ft	18 ft
10 ft	18 ft
13 ft	18 ft
16 ft	18 ft
19 ft	15 ft
22 ft	12 ft
25 ft	9 ft
28 ft	6 ft
31 ft	6 ft
34 ft	6 ft

## SERIES 75

V1 = MINIMUM 3 FEET

Vertical (V)	Horizontal (H)
4 ft	15 ft
7 ft	18 ft
10 ft	18 ft
13 ft	18 ft
16 ft	18 ft
19 ft	15 ft
22 ft	12 ft
25 ft	9 ft
28 ft	6 ft
31 ft	6 ft
34 ft	6 ft

## SERIES 110/120/130

V1 = MINIMUM 3 FEET

Vertical (V)	Horizontal (H)
4 ft	6 ft
7 ft	15 ft
10 ft	18 ft
13 ft	15 ft
16 ft	15 ft
19 ft	12 ft
22 ft	9 ft
25 ft	6 ft
28 ft	6 ft
31 ft	6 ft
34 ft	6 ft

## SERIES 150/170

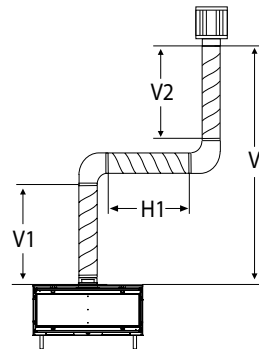
V1 = MINIMUM 3 FEET

Vertical (V)	Horizontal (H)
4 ft	6 ft
7 ft	12 ft
10 ft	15 ft
13 ft	12 ft
16 ft	12 ft
19 ft	12 ft
22 ft	12 ft
25 ft	9 ft
28 ft	9 ft
31 ft	6 ft
34 ft	6 ft

## SERIES 200

V1 = MINIMUM 6 FEET

Vertical (V)	Horizontal (H)
7 ft	3 ft
10 ft	12 ft
13 ft	12 ft
16 ft	12 ft
19 ft	12 ft
22 ft	12 ft
25 ft	12 ft
28 ft	12 ft
31 ft	9 ft
34 ft	9 ft

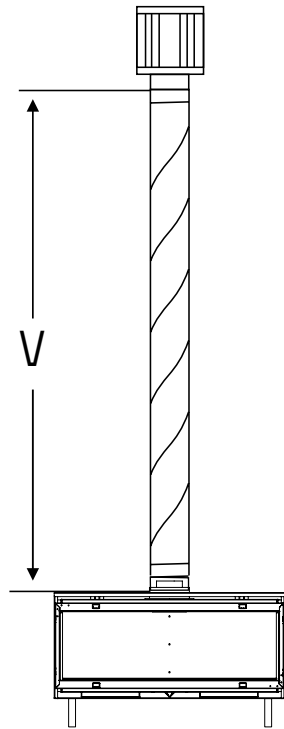


### Notes:

1. Can use up to two 90 elbows
2.  $V = V1 + V2$

[ For venting runs that exceed these maximums consider Ortal's Power Vent system. Contact your Ortal dealer for more information.

# [ Venting Diagram - Straight Vertical



MODEL	Max Vertical
Series 40-200	42 feet

[ For venting runs that exceed these maximums consider Ortal's Power Vent system. Contact your Ortal dealer for more information.

# [ Sconce Cap Detail (with small wall thimble)

